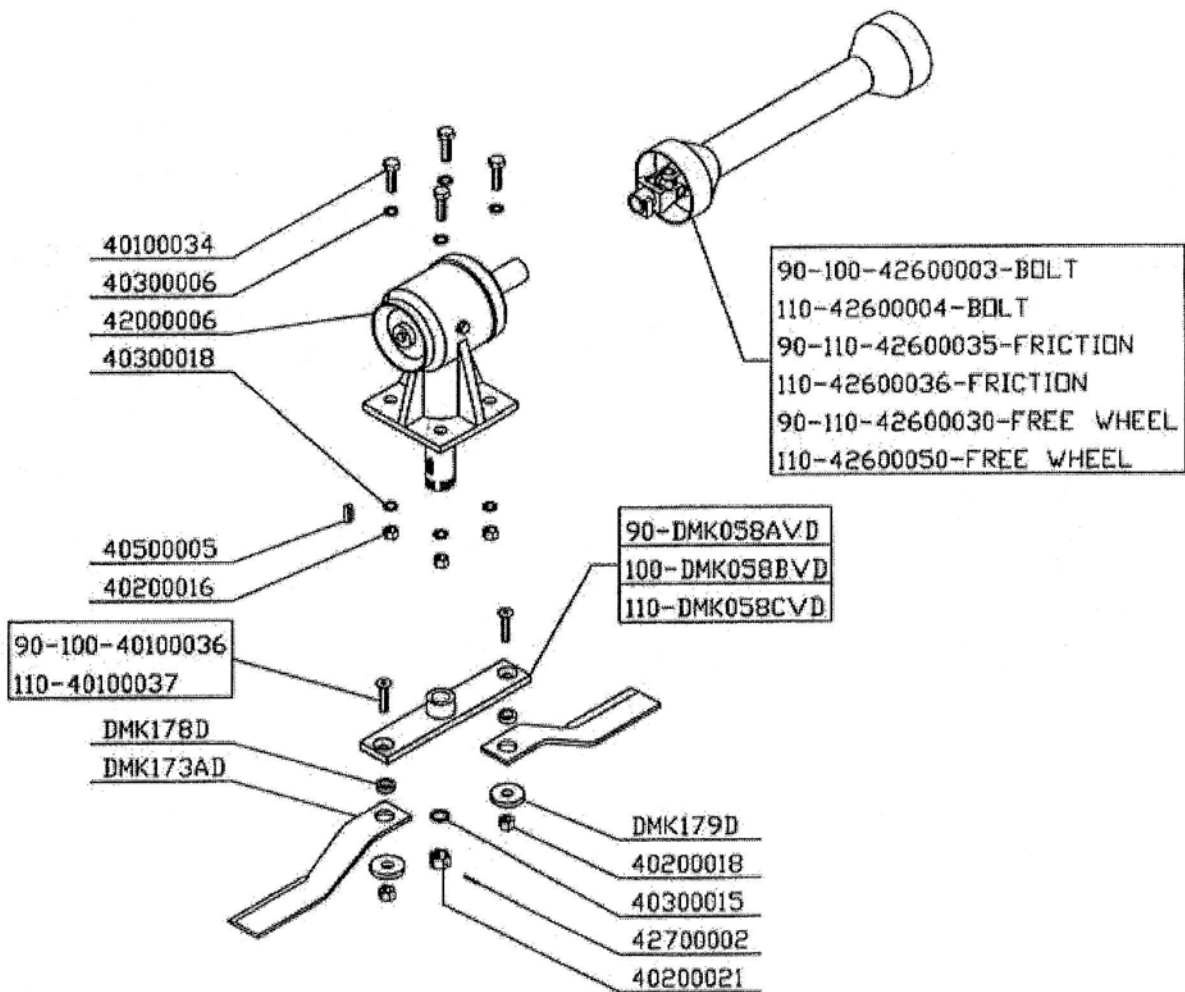


DMK SHEETS

DMK 90-100-110 TRANSMISSION

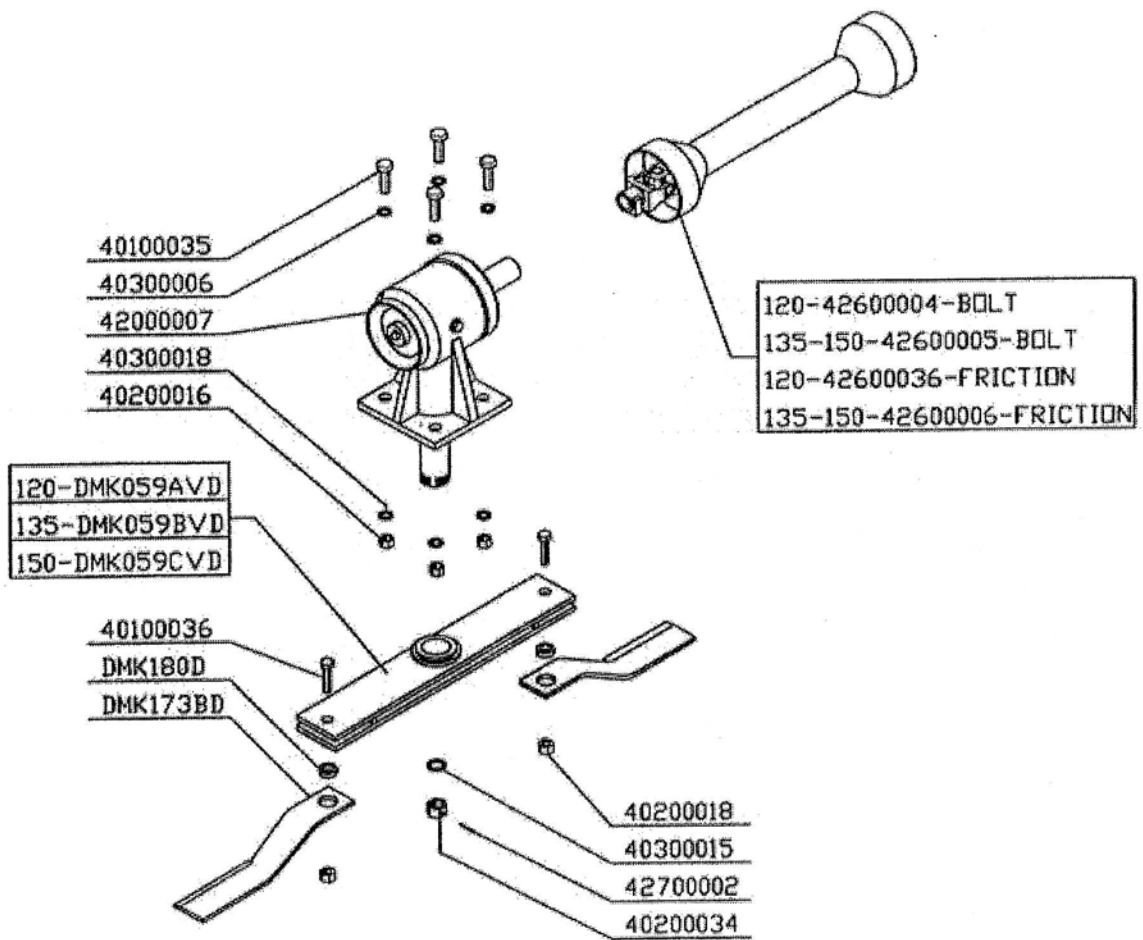
DMK 90-100-110 TRANSMISSION SPARE PARTS



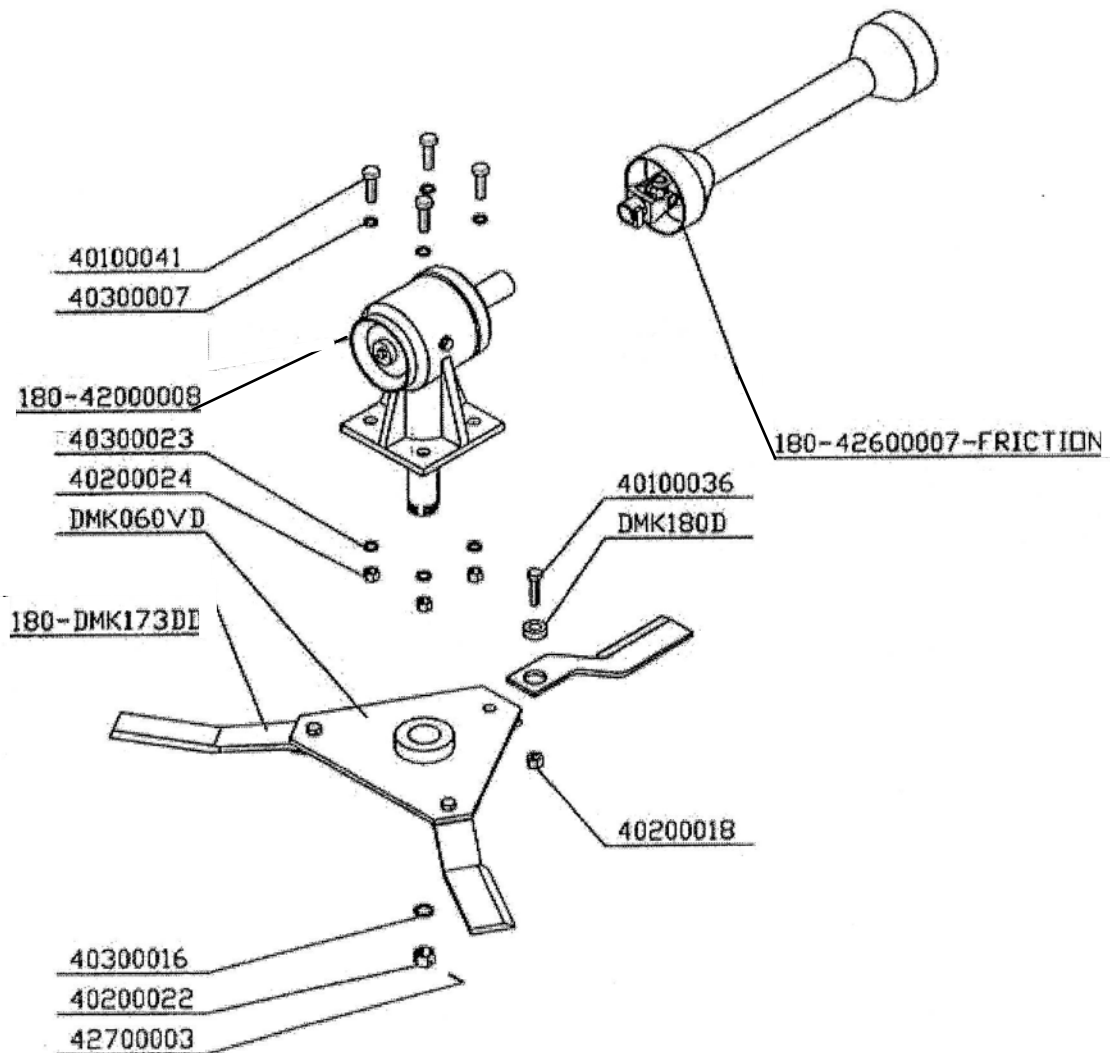
DMK 120-135-150/2-AM 120 TRANSMISSION

DMK 120-135-150

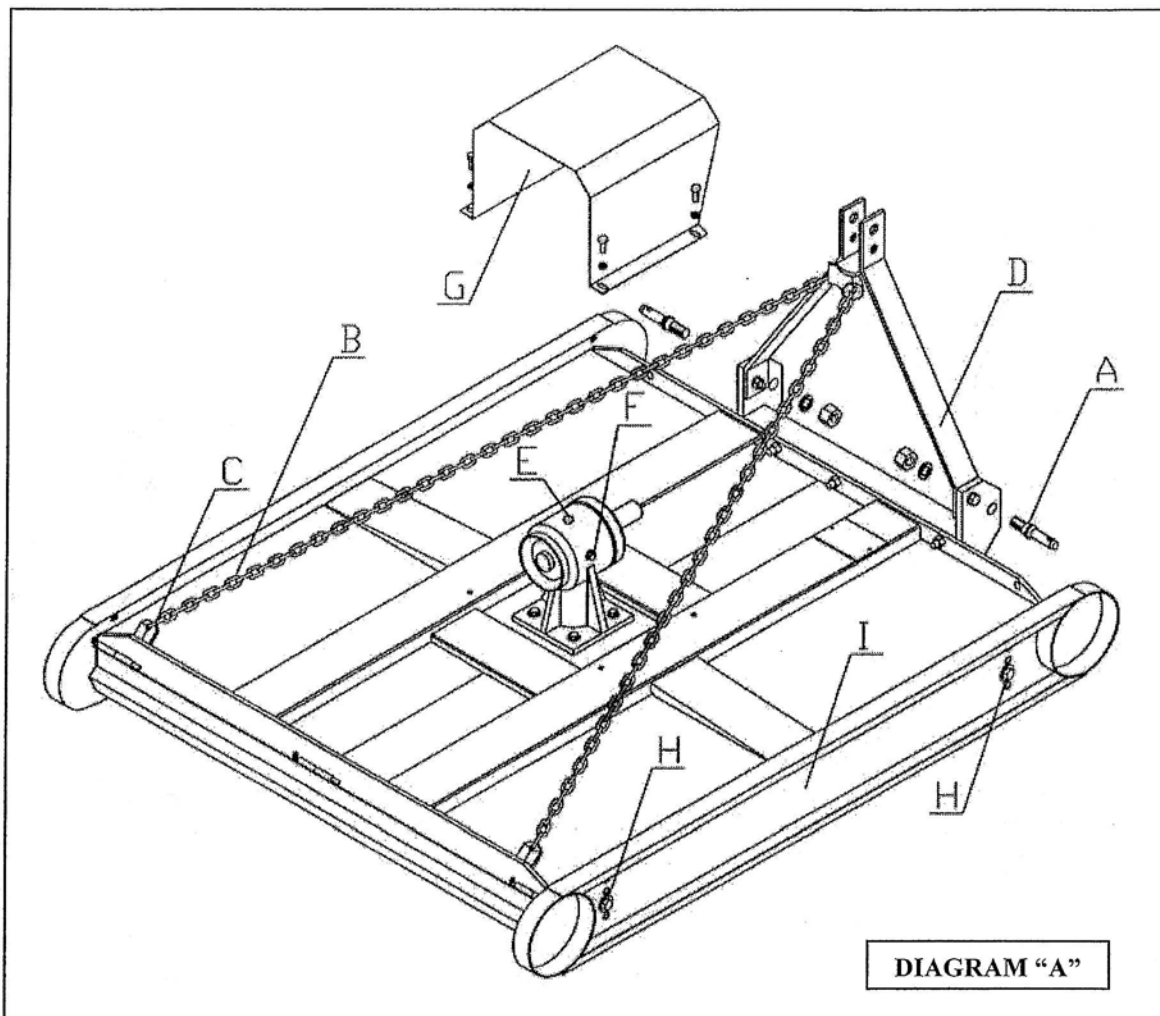
TRANSMISSION SPARE PARTS



DMK 180 TRANSMISSION SPARE PARTS



ASSEMBLY INSTRUCTIONS



1. ASSEMBLING

- a) Assemble the pins "A" in the holes of the connection bar .
- b) Fix the chain "B" through the clip "C" to one of the two brachets in the frame rear part, ran the chain through the pipe welded on third point "D" and fix the second side of the chain to the second brachet .
- c) Through the plug "E" fill oil, in foreseen type and quantity at point "1-b" page 10, in gear box.
- d) Assemble the safety protection "G" .

THECNICAL SPECIFICATIONS

CHARACTERISTICS PER MODEL

Model	Type	Power		PTO	Cutting width		Cutting height		Blades	Blades speed	3 Points hitch	Weight	
		Hp	Kw		g/min	cm	Inch	cm				Inch	N°
	90	30	22	540	90	35	3+15	1.2+8	2	1528	1		
	100	30	22	540	100	39	3+15	1.2+8	2	1528	1	120	260
DMK	110	30	22	540	110	43	3+15	1.2+8	2	1528	1		
	120	40	30	540	120	47	3+15	1.2+8	2	1026	1	175	385
	135	40	30	540	135	53	3+15	1.2+8	2	1026	1		
	150/2	40	30	540	150	59	3+15	1.2+8	2	1026	1 - 2	225	495
	150/3	70	50	540	150	59	3+15	1.2+8	3	1042	1 - 2	295	650
	180/3	70	50	540	180	71	3+15	1.2+8	3	810	2	350	775

Model	Type	Power		PTO	Cutting width		Cutting height		Blades	Blades speed	3 Points hitch	Weight	
		Hp	Kw		g/min	cm	Inch	cm				Inch	N°
	120/2	40	30	540	120	47	3+15	1.2+8	2	1026	1	231	500
AM	150/3	70	50	540	150	59	3+15	1.2+8	3	1042	2	362	785
	180/3	70	50	540	180	71	3+15	1.2+8	3	810	2	430	930

Model	Type	Power		PTO	Cutting width		Cutting height		Blades	Blades speed	3 Points hitch	Weight	
		Hp	Kw		g/min	cm	Inch	cm				Inch	N°
	120/3	70	50	540	120	47	3+15	1.2+8	3	1042	2	235	510
AMX	150/3	100	75	540	150	59	3+15	1.2+8	3	1042	2	367	795
	180/3	100	75	540	180	71	3+15	1.2+8	3	810	2	435	942